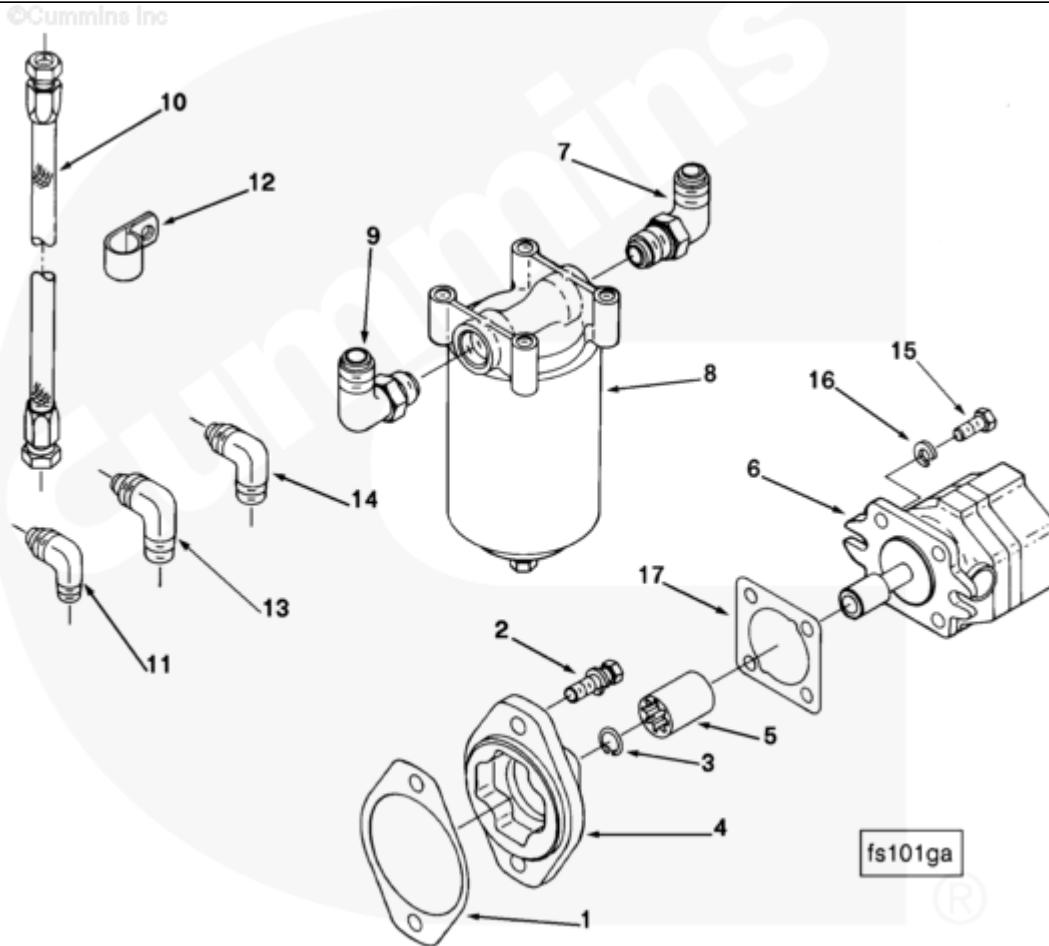




Parts Catalog - Option Detail

| Electronic Parts Catalog - Option Detail | | | | |
|------------------------------------------|--------------------------------------|---------|-----------|-----------|
| Option | Group | Graphic | Film Card | Date |
| FS1031 | 06.05 | fs101ga | F | 15-MAY-93 |
| Engines | NH/NT 855, NT495, NT743, NTA855 N106 | | | |



[SMALL](#) | [MEDIUM](#) | [LARGE](#)

| Cart | Ref No | Part Number | Part Description | Required | Remarks |
|------------------------------|--------|------------------------|------------------|----------|----------------------------|
| View My Cart | | | | | |
| | | FS1031 | Float Tank | | |
| | | | | | Float Tank |
| | | | | | Fuel Transfer Pump mounted |
| | | | | | and driven through spline |

| | | | | | |
|--------------------------|----|----------------------------|--------------------------|---|-----------------------------|
| | | | | | coupling at rear of engine |
| | | | | | lub oil pump. Plumbed to |
| | | | | | float tank. Additional fuel |
| | | | | | filter and check valve |
| | | | | | supplied in kit. Stratoflex |
| | | | | | marine hose. |
| | | | | | |
| <input type="checkbox"/> | 1 | 154916 | Hydraulic Pump Gasket | 1 | |
| <input type="checkbox"/> | 2 | 3010596 | Captive Washer Cap Screw | 2 | 3/8 - 16 x 1 1/4 in. |
| <input type="checkbox"/> | 3 | 100475 | Retaining Ring | 1 | |
| <input type="checkbox"/> | 4 | 207780 | Hydraulic Pump Adapter | 1 | |
| <input type="checkbox"/> | 5 | 3023506 | Spline Coupling Sleeve | 1 | |
| <input type="checkbox"/> | 6 | 3031249 | Fuel Transfer Pump | 1 | |
| <input type="checkbox"/> | 7 | 129859 | Male Union Elbow | 1 | |
| <input type="checkbox"/> | 8 | 156171 | Fuel Filter | 1 | Buy from Cummins Filtration |
| <input type="checkbox"/> | 9 | 217196 | Check Valve | 1 | |
| <input type="checkbox"/> | 10 | AM 8027 SS | Flexible Hose | 1 | |
| <input type="checkbox"/> | 11 | 43765 | Male Adapter Elbow | 1 | |
| <input type="checkbox"/> | 12 | 69911 A | Clip | 1 | |
| <input type="checkbox"/> | 13 | 100501 | Male Adapter Elbow | 1 | |
| <input type="checkbox"/> | 14 | 102584 | Male Adapter Elbow | 1 | |
| <input type="checkbox"/> | 15 | S 107 | Hexagon Head Cap Screw | 4 | 5/16 - 18 X 3/4 in. |
| <input type="checkbox"/> | 16 | S 605 | Lock Washer | 4 | 5/16 in. |
| <input type="checkbox"/> | 17 | 113816 | Hydraulic Pump Gasket | 1 | |